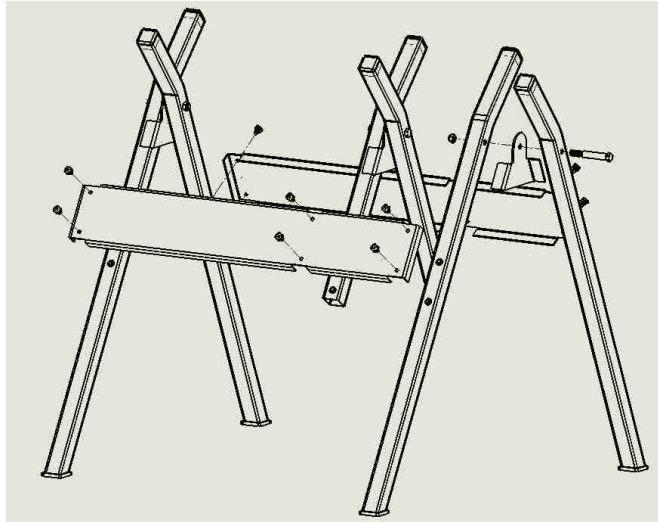


SAWBUCK ASSEMBLY INSTRUCTIONS

List of Parts:

- 12 1/4" - 20 X 1/2" screws
- 3 3/8" - 16 X 3" bolts
- 3 3/8" - 16 hex lock nuts
- 2 side plates
- 4 outer legs
- 2 inner legs
- 3 leg stops



Assembly Directions:

- 1) Use #3 Philips head screwdriver and 6 screws to attach the side plate to the two outer legs and one inner leg.
- 2) Repeat step one with remaining side plate and legs.
- 3) Turn assembled parts back to back, line up legs.
- 4) Insert the leg stop between each pair of legs.
- 5) Insert a 3/8" bolt through each set of legs and leg stop.
- 6) Place a lock nut on each bolt. Tighten only until it engages so that it allows the legs to move.